

# PITELUMEC

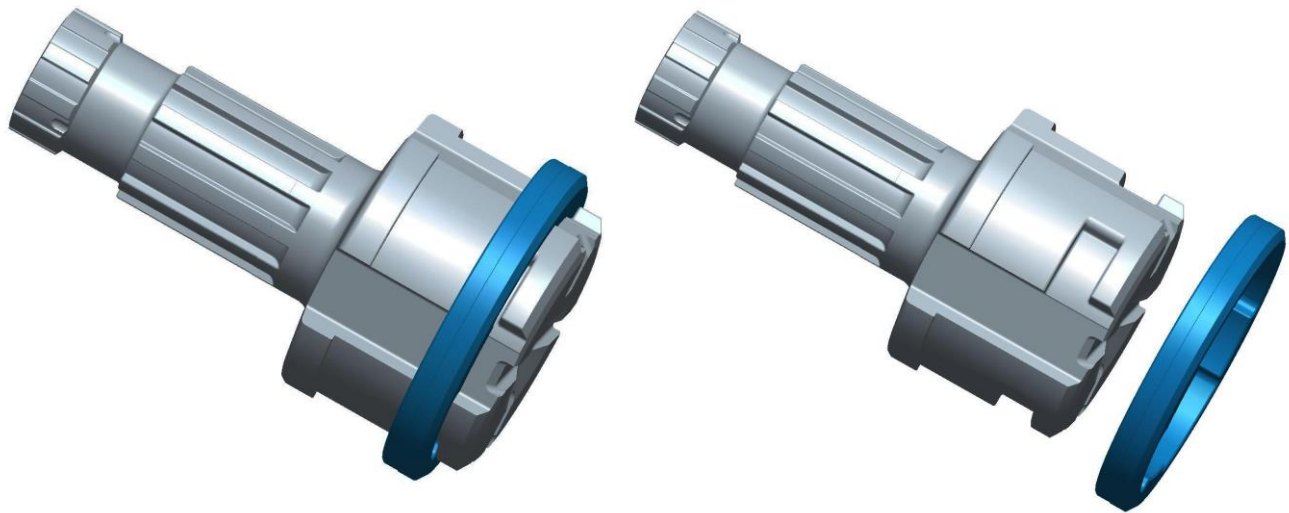
## THE PRING-E 240 RING BIT CASING SYSTEM



---

**CASING SIZE 273MM OD X 260MM ID DRILLING DIA. 293MM**

# PNEUMEC PRING-E 240 CASING SYSTEM



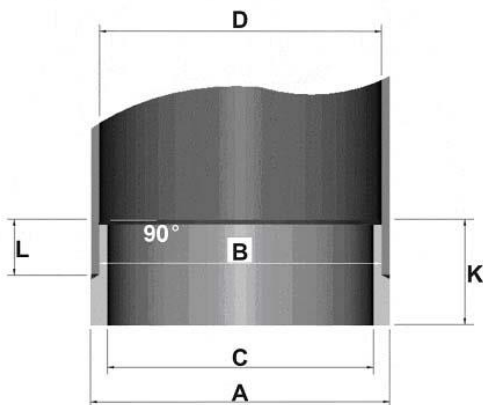
## PRING-E 240 PARTS LIST

1.	DRIVER BIT DHD380 SHANK	UGD240380RE
2.	RING	URB240RE
3.	COMPLETE SYSTEM	UCS240380RE

## PRING-E 240 SPECIFICATIONS

UPPER BODY DIAMETER	256MM	RING ID	192MM
RING OD	293MM	CASING SIZE	273MM OD X 260MM ID
SYSTEM LENGTH	590MM	SYSTEM WEIGHT	110KG

## PRING-E 240 CASING SHOES



DIA. A	273MM
DIA. B	257MM
DIA. C	233MM
DIA. D	260MM
L	35MM
K	80MM



### PNEUMEC COMPANY LIMITED

1st Floor, Tin On Sing Comm. Bldg., 41-43 Graham St. Central, H.K.

Tel : (852) 2240 9922

Website : [www.pneumec.com](http://www.pneumec.com)

Fax : (852) 2240 9982

email : [info@pneumec.com](mailto:info@pneumec.com)